

RLEIL ROTARY SWITCH

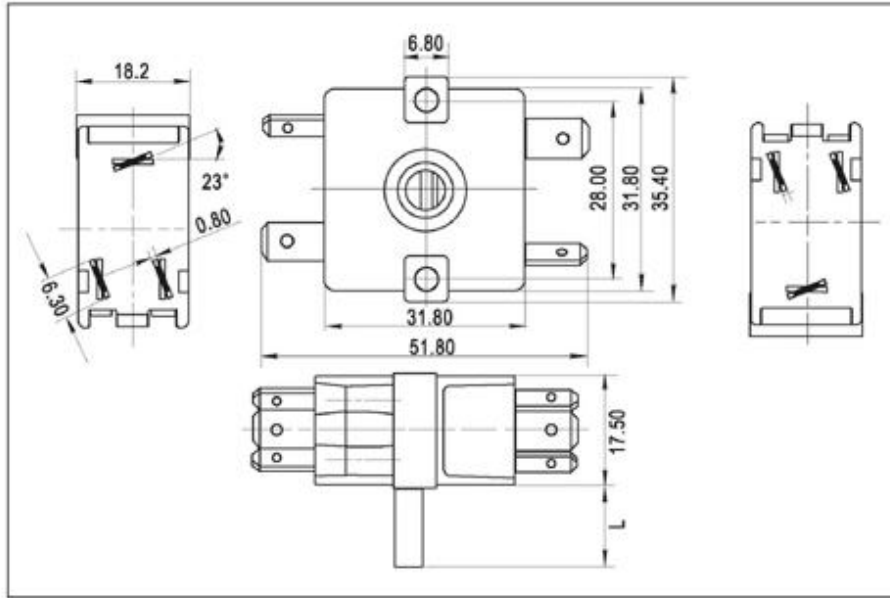
Specification:

16A 250VAC T125/55 1E4

16A 125V T105



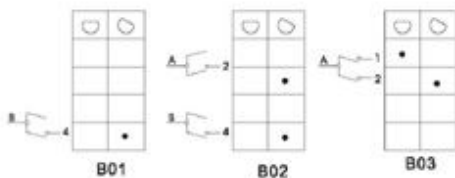
RL7-1-D-04-BK-P1



EXPLANATION MODEL NUMBER

**RL7-1-D-04-BK-P1-L1**

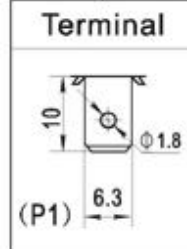
Circuit Options:



Position	
B	2
C	3
D	4
E	5
F	6

Circuit	
01	
02	
03	
04	
05	
06	
07	

Color Cap/Housing	
BK	Black
WT	White
GE	Grey
BR	Brown



Handle Lenth	
L1	11mm
L2	12.5mm
L3	23mm

