

RL3 SERIES

RL3-7

RLEIL ROCKER SWITCH

Specification:

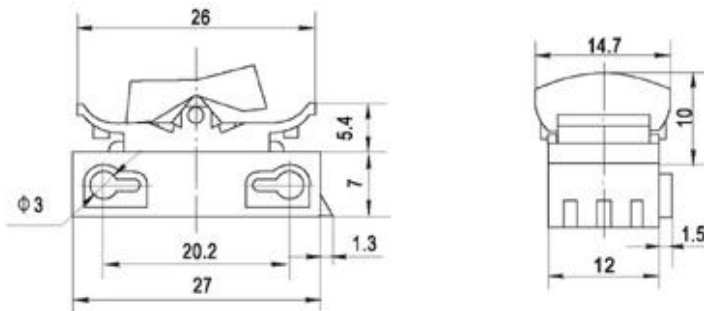
(G) : 6A 250VAC T125/55 1E4
10A 125VAC T85



RL3-711-G-0-BK/WT



RL3-711-G-0-WT/WT



RL3-7-11-G-0-BK/WT