

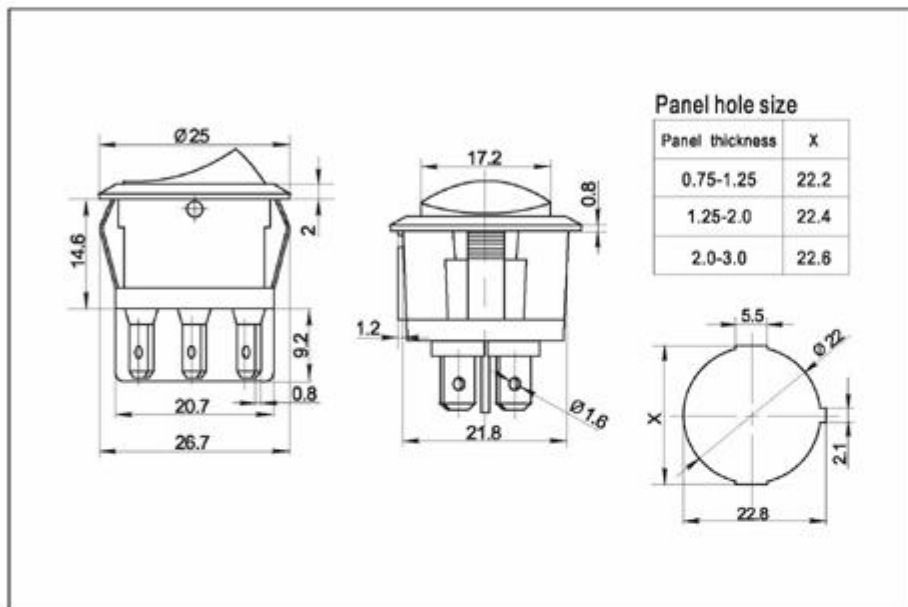


RLEIL ROCKER SWITCH

Specification:

- (G) : 6 (2) A 250VAC T125/55 1E4 (N) (S) (D) (FI) 
 10A 125VAC  
 (H) : 10 (4) A 250VAC T125/55 1E4
 10 (2) A 250VAC T85/55 5E4
 12 (8) A 250VAC T85/55 1E4
 16A 125V/10A 250VAC 1/3HP 125-250VAC T105



EXPLANATION MODEL NUMBER

RL3-5(X)-21/N-G-0-RE/BK-P4-0... (2)

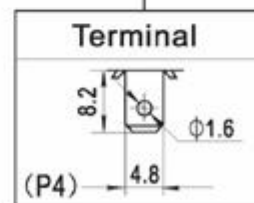
Function	
21/N	ON-OFF w/lamp
21	ON-OFF 2P
22	ON-ON 3P
23	ON-OFF-ON 3P
21(ON)	(ON)-OFF 2P

Rating	
G	10A 125VAC 6A 250VAC
H	16A 125VAC 10A 250VAC

7		3	
8		4	
21		5	
22		6	

Cap Printing	
0	None
1	
2	
3	
4	
5	
6	

Color Cap/Housing	
BK	Black
WT	White
RE	Red
OR	Orange
GR	Green
GE	Grey



Votoge	
1	110VAC
2	220VAC
3	12VDC
4	24VDC

O	Nothing
P	PVC-Cap