



RL3-10-21-G-2-BK/BK-P5
ON-OFF 4P



RL3-10-23-G-6-BK/BK-P5
ON-OFF-ON 6P

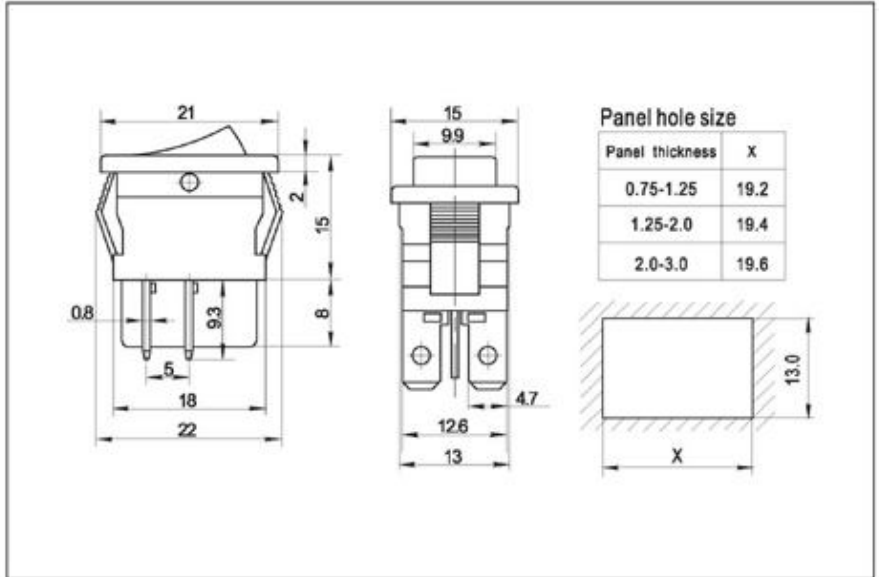
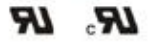


RL3-10-22-G-2-BK/BK-P5
ON-ON 6P

RLEIL ROCKER SWITCH

Specification:

(G) : 6 (2) A 250VAC T125/55 1E4
10A 125VAC T105



EXPLANATION MODEL NUMBER

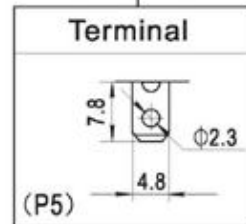
RL3-10 - 21 - G - 2 - BK/BK - P5 - 0

Function	
21	ON-OFF
22	ON-ON
23	ON-OFF-ON
21(ON)	(ON)-OFF
21(OFF)	ON-(OFF)
22(ON)	(ON)-ON
23(ON)	(ON)-OFF-ON

Rating	
G	10A 125VAC 6A 250VAC

Cap Printing	
0	None
1	
2	
3	
4	
5	
6	
7	
8	
15	

Color Cap/Housing	
BK	Black
WT	White
GE	Grey



O	Nothing
P	PVC-Cap