

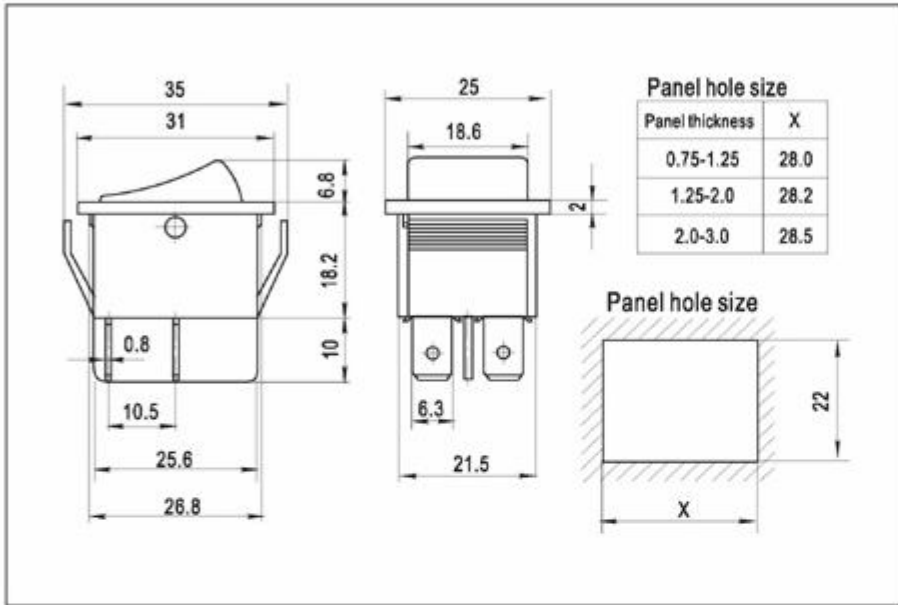
RLEIL ROCKER SWITCH

Specification:

- 16 (4) A 250VAC T85
- 16 (4) A 250VAC T125/55 1E4
- 16A 125V/8A 250VAC



(H) Rating: 16 (8) A 250VAC T85/55 1E4



EXPLANATION MODEL NUMBER

RL2-1 - 21/N - C - 2 - RE/BK - P1... (2)

Function	
21/N	ON-OFF 4P w/lamp
21	ON-OFF 4P
22	ON-ON 6P
23	ON-OFF-ON 6P
11	ON-OFF 2P
12	ON-ON 3P

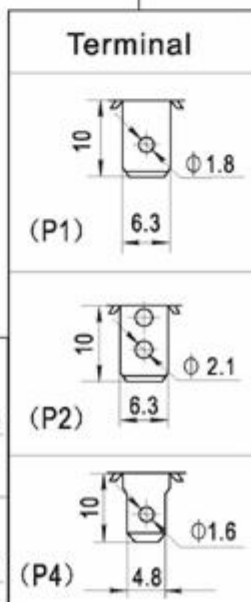
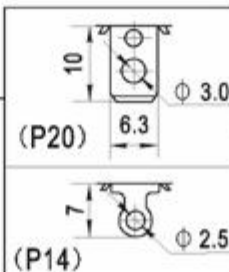
Cap Type	
A	Flat
C	Soft Line
P	W/PVC-Cap

5	II
6	O II
7	- O =
8	⊕ ⊚ ⊖

Cap Printing	
0	None
1	●
2	○ -
3	○
4	- =



Color Cap/Housing	
BK	Black
WT	White
RE	Red
OR	Orange
GR	Green
BL	Blue



Votoge	
1	110VAC
2	220VAC
3	12VDC
4	24VDC