



RL1-111/N-C-2-RE/BK-P2
ON-OFF 3P W/Lamp



RL1-111/N-D-0-BK/BK-P2
ON-OFF 3P W/Round Len

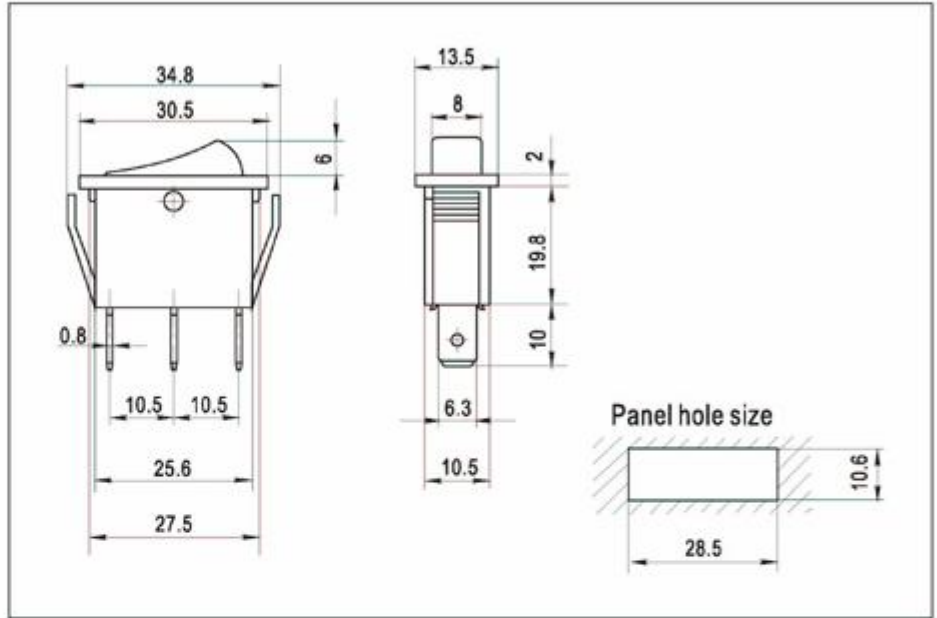


RL1-111-C-2-WT/WT-P2
ON-OFF 2P

RLEIL ROCKER SWITCH

Specification:

10 (4) A 250VAC T85
16 (4) A 250VAC T125/55 1E4
15A 125V/7.5A 250VAC



EXPLANATION MODEL NUMBER

RL1-1 - 11/N - C - 2 - RE/BK - P1... (2)

Function		
11/N	ON-OFF w/lamp	3P
11	ON-OFF	2P
12	ON-ON	3P

Cap Type	
A	Flat
C	Soft Line
D	W/Round Len

Cap Printing	
0	None
1	
2	
3	
4	
5	
8	

Color Cap/Housing	
BK	Black
WT	White
RE	Red
OR	Orange
GR	Green
BL	Blue
GE	Grey

Terminal	
(P1)	
(P2)	
(P4)	
(P14)	

Voltage	
1	110VAC
2	220VAC
3	12VDC
4	24VDC

