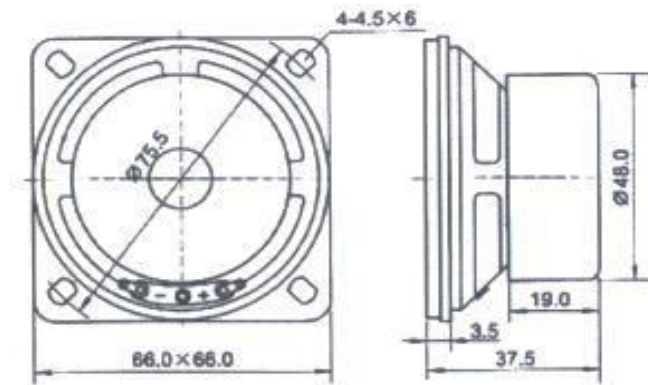


FB202F02



Size(mm)	: 66X66
Rated Impedance(Ω)	: 4, 8, 16 ($\pm 15\%$)
Rated Power(W)	: 3
Max. Power(w)	: 5
Resonant Frequency(Hz)	: $170 \pm 20\%$
Frequency Range(Hz)	: $f_0 - 14000$
Sound Pressure Level(Db)	: 86 ± 3
Magnet Size(mm)	: $\varnothing 40 \times 22 \times 8$ $\varnothing 32 \times 18 \times 6$



поставщик ООО Микроплюс Санкт-Петербург т./ф. (812) 388 21 40
mplus06.narod.ru