

8mm Semi-Fixed Carbon Resistor Potentiometer

SH-083

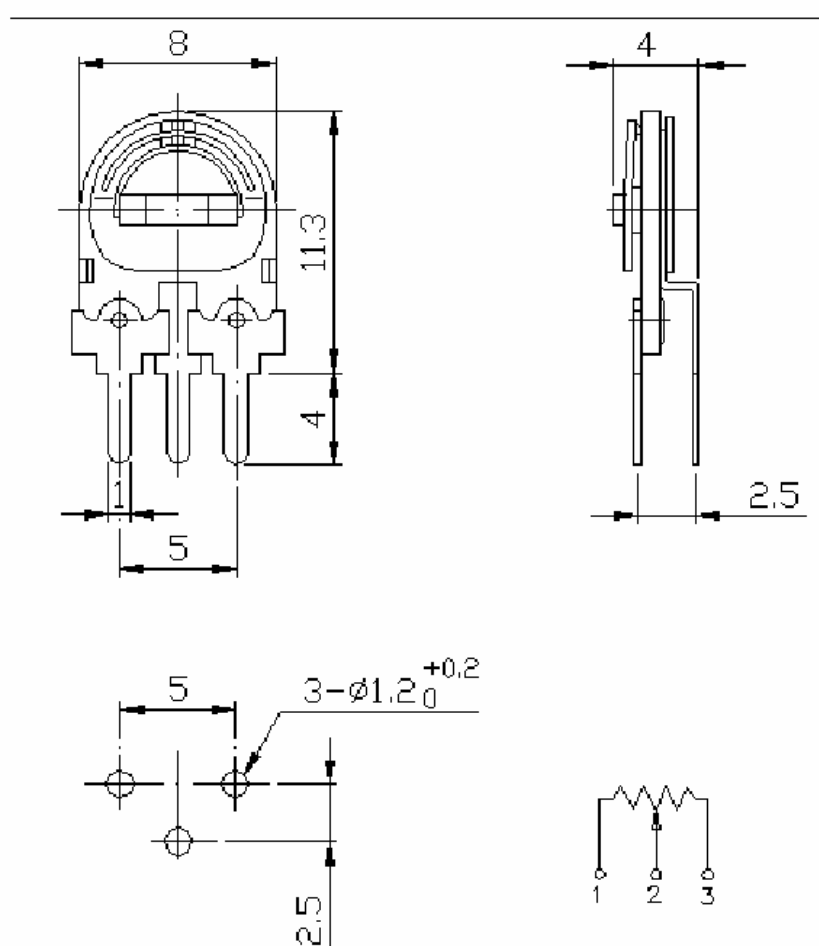


Part Number

SH-083 – **3K**

Resistance Value

Dimensions



поставщик ООО Микроплюс (812) 388 21 40 gvr@inbox.ru www.mplus06.narod.ru

Electrical & Mechanical Characteristics

1	Resistance Range	100 Ω ~ 2 M Ω
2	Resistance Tolerance	$\pm 20\%$
3	Resistance Taper	B Curve (Linear Change with 45°)
4	Rated Power	0.1 Wattage
5	Max. Operating Voltage	100 V
6	Rotating angle	250° $\pm 20\%$
7	Rotating Torque	40 - 250 g - cm.
8	Rotating Strength	Min. 1 Kg - cm.
9	Rotating Life	$\pm 10\%$ Resistance change max. after 50 rotations (return)
10	Temperature Characteristic	+5% and -20% resistance change max. after 5 hours at 70°C
11	Load Characteristic	$\pm 5\%$ resistance change after using 3 hours at a normal temperature.
12	Moisture Characteristic	$\pm 15\%$ resistance change after 5 hours within 95% humidity at 40°C.

поставщик ООО Микроплюс (812) 388 21 40 gvr@inbox.ru www.mplus06.narod.ru