

RL3-2

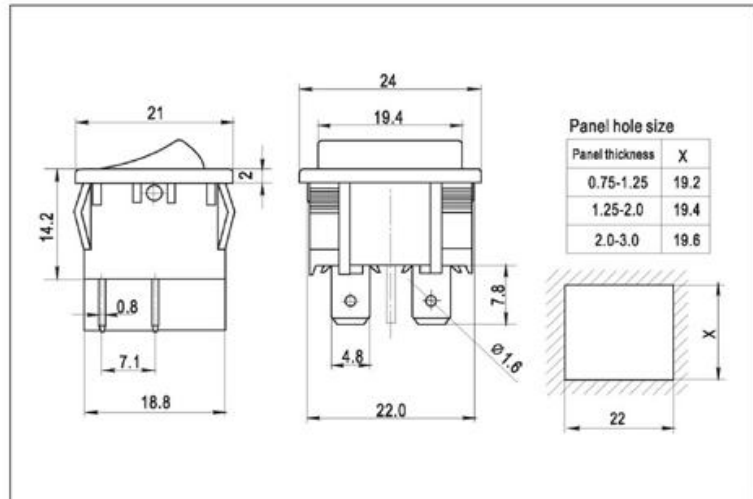
RL3 SERIES



RLEIL ROCKER SWITCH

Specification:

- (G) : 6 (2) A 250VAC T125/55 1E4 (N S D FI DVE)
- 10A 125VAC
- (H) : 10 (4) A 250VAC T125/55 1E4
- 10 (2) A 250VAC T85/55 5E4
- 16A 125V/10A 250VAC 1/3HP 125-250VAC T105



EXPLANATION MODEL NUMBER

RL3-2 - 21 - G - 2 - BK/BK - P5 - 0

