

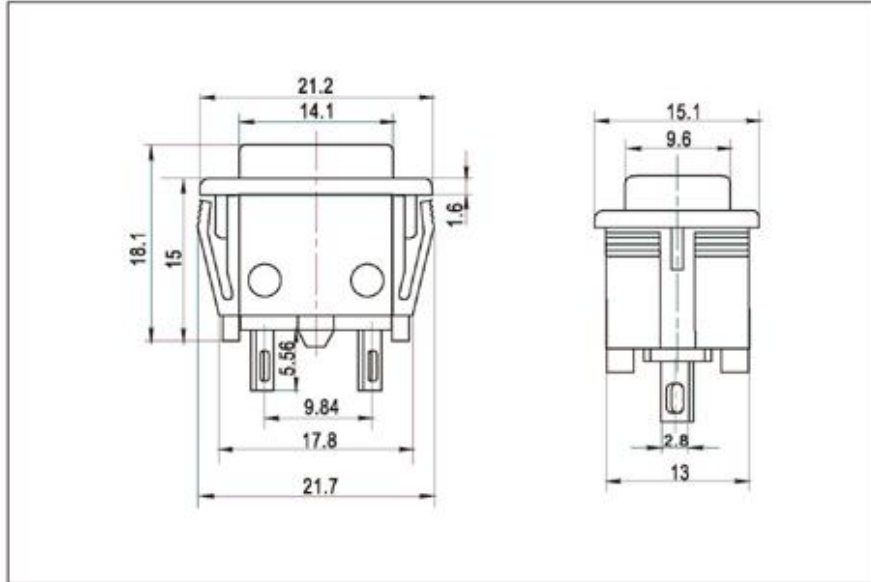
RLEIL PUSH SWITCH

Specification:

10(4)A 250VAC T120/55

5(2)A 250VAC 5E4

6A 125/250VAC T85 1/4HP 250VAC



EXPLANATION MODEL NUMBER

RL5-4 - BK/BK - P26

Color Cap/Housing	
BK	Black
WT	White

Terminal
<p>(P26)</p>
<p>(P30)</p>