

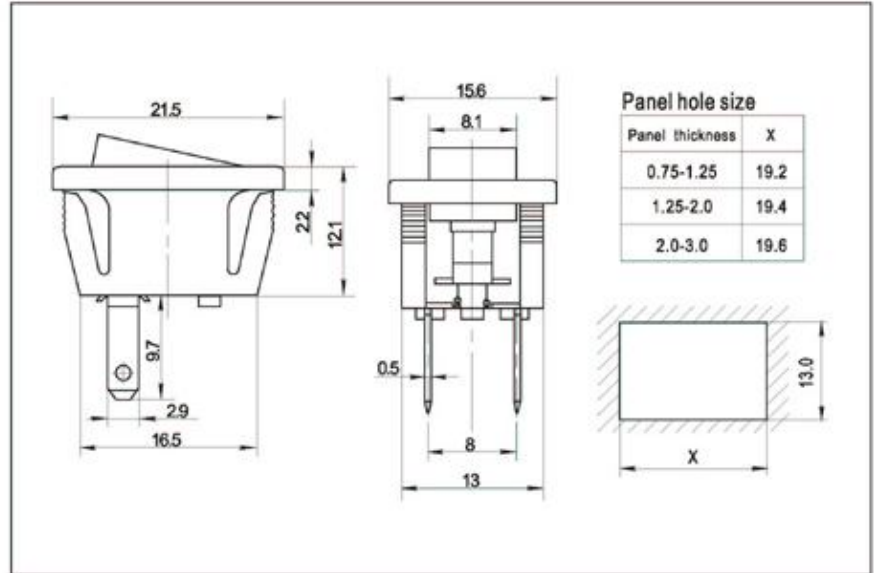
RL5-3

RL5 SERIES



RLEIL PUSH SWITCH

Specification:
2A 250VAC



EXPLANATION MODEL NUMBER

RL5-3 - BK/BK - P31

Color Cap/Housing	
BK	Black
WT	White

