

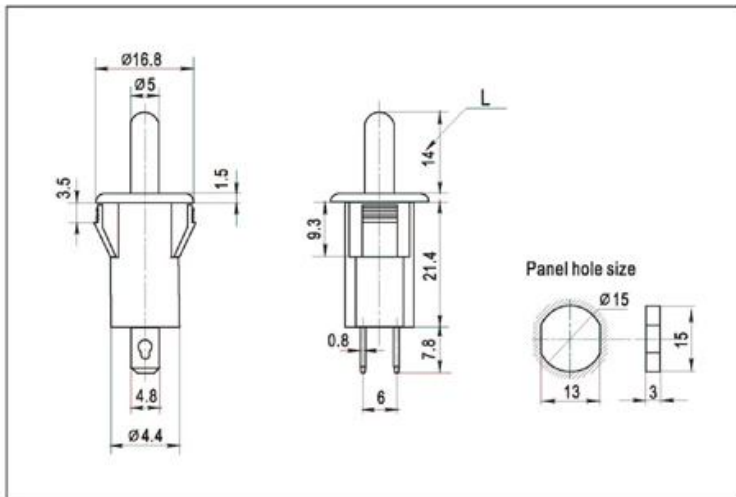
RL5 SERIES

RL5-2

RLEIL PUSH SWITCH

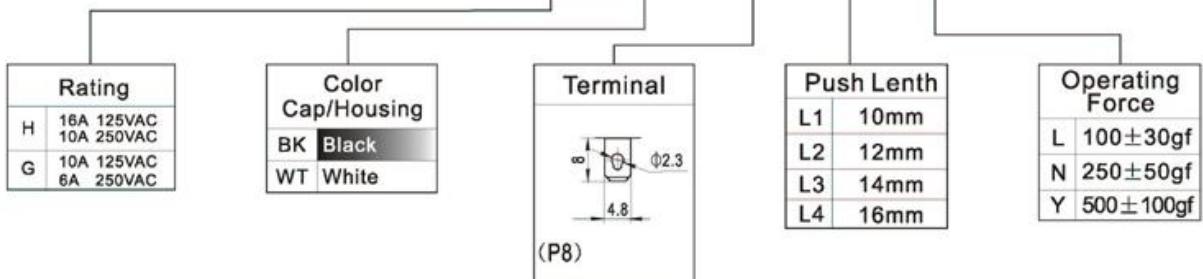
Specification:

- (H) : 16A 125VAC T105
10A 250VAC
- (G) : 10A 125VAC T85
6A 250VAC



EXPLANATION MODEL NUMBER

RL5-2 - G - BK - P8 - L1 - L



поставщик ООО Микроплюс
т./ф. (812) 388 21 40
gvr@inbox.ru
www.mplus06.narod.ru