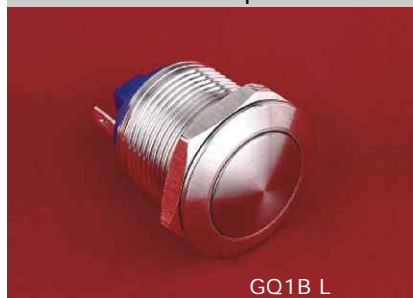
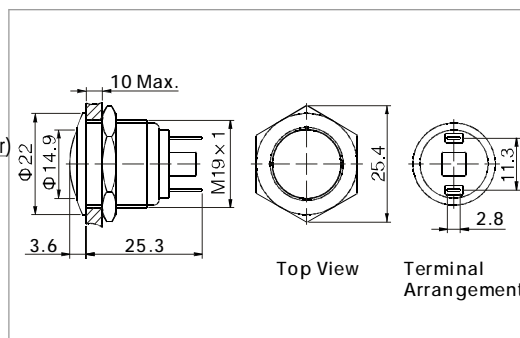


## ANTI-VANDALpush button



GQ19B L

- ⊙  $\Phi$  19mm diameter
- ⊙ Switch Rating:2A/36VDC
- ⊙ Contact Configuration:1NO(1NC Made to order)
- ⊙ Operation Type: Momentary
- ⊙ The Front Shape: Domed
- ⊙ The crust material: Stainless Steel/  
Brass(Nickel plated, Gold plated)
- ⊙ IP Degree:IP65

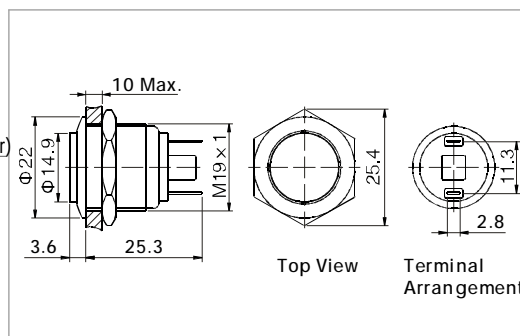


## ANTI-VANDALpush button



GQ19F L

- ⊙  $\Phi$  19mm diameter
- ⊙ Switch Rating:2A/36VDC
- ⊙ Contact Configuration:1NO(1NC Made to order)
- ⊙ Operation Type: Momentary
- ⊙ The Front Shape: Flat Round
- ⊙ The crust material: Stainless Steel/  
Brass(Nickel plated, Gold plated)
- ⊙ IP Degree:IP65



Specification	GQ19B L	GQ19F L
The Front Shape	Domed	Flat Round
Terminal Type	Pin Terminal(2×0.5mm)	Pin Terminal(2×0.5mm)
Switching	No.1	No.1
Max.Switch Rating	2A/36VDC	2A/36VDC
Contact Resistance	≤50mΩ	≤50mΩ
Insulation Resistance	≥1000MΩ	≥1000MΩ
Dielectric Strength	2000VAC	2000VAC
Operating Temp	-20℃ ~ +55℃	-20℃ ~ +55℃
Mechanical life	1,000,000 cycles	1,000,000 cycles
Electrical life	200,000 cycles	200,000 cycles
Panel Thickness	1 ~ 10mm	1 ~ 10mm
Torque	5 ~ 14Nm	5 ~ 14Nm
Operation Pressure	About 4N	About 4N
Operation Distance	About 1.8mm	About 1.8mm
IP Degree	IP65	IP65
Material	Contact	Silver Alloy
	Button	Stainless Steel/Brass(Nickel plated, Gold plated)
	Body	Stainless Steel/Brass(Nickel plated, Gold plated)
	Base	PBT
	RoHS	Made to order
		Made to order