

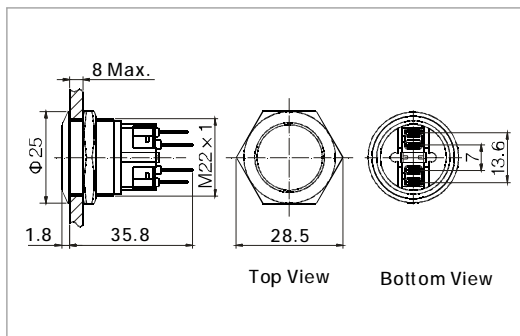
# SW-GQ22FSL

## ANTI-VANDAL PUSH BUTTON



SW-GQ22FSL

- ⊙  $\Phi$ 22mm diameter
- ⊙ Switch Rating: 5A/250VAC
- ⊙ Contact Configuration: 1NO1NC
- ⊙ Operation Type: Momentary / Alternate
- ⊙ The crust material: Stainless Steel
- ⊙ IP Degree: IP65



Specification		GQ22-11 ■
The Front Shape		Flat Round
Terminal Type		Pin Terminal(2.8×0.5mm)
Switching		No.2
Max. Switch Rating		Ith:5A Ui:250VAC
Contact Resistance		≤50mΩ
Insulation Resistance		≥1000MΩ
Dielectric Strength		2000VAC
Operating Temp		-20℃ ~ +55℃
Mechanical life		1,000,000 cycles
Electrical life		50,000 cycles
Panel Thickness		1 ~ 6mm
Torque		5 ~ 14Nm
Operation Pressure		About 5.5N
Operation Distance		About 2.5mm
IP Degree		IP65
Material	Contact	Silver Alloy
	Button	Stainless Steel
	Body	Stainless Steel
	Base	PA
	RoHS	Made to order