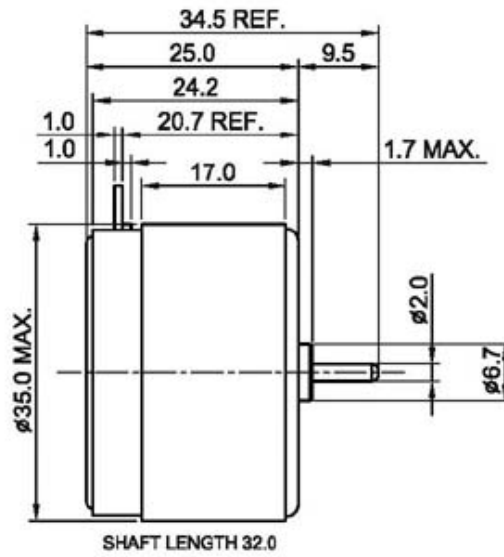
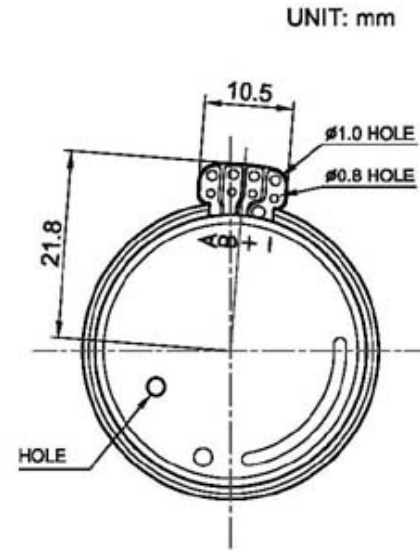


Usable male screw length 1.8 max.
from motor mounting surface.

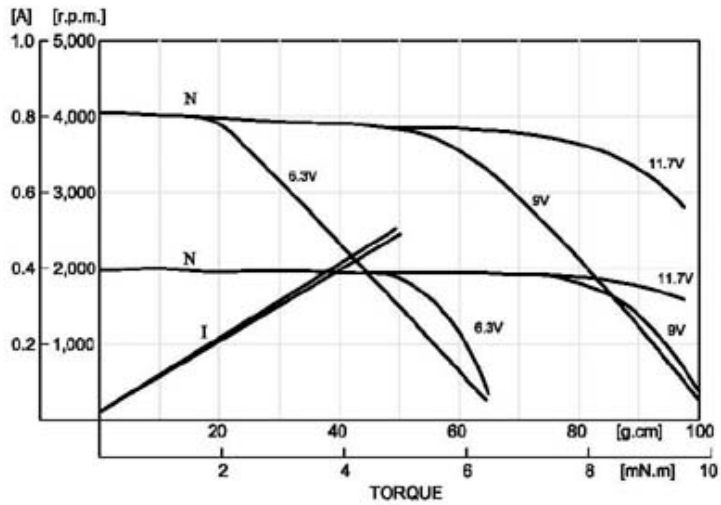


WEIGHT: 70g(APPROX)



EG-530YD-9BH

6.3V/9.0V/11.7V



EG-530YD-2BH

8.4V/12.0V/15.6V

