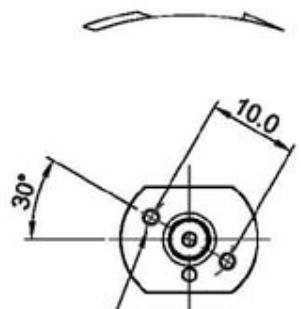
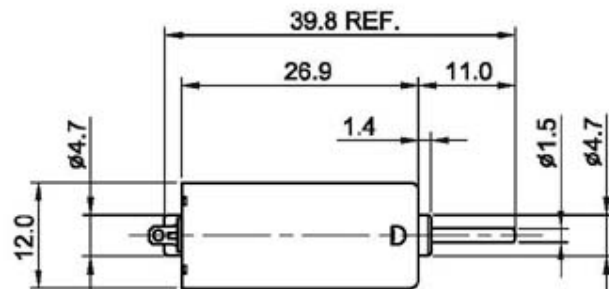


DIRECTION OF ROTATION

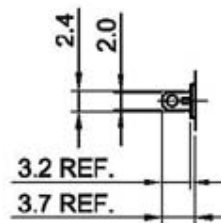


2-M2.0X0.4 TAPPED HOLE

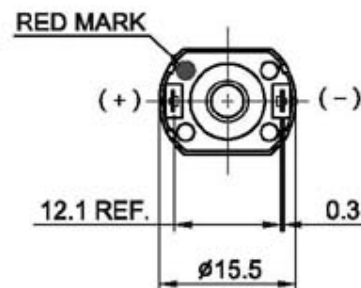
Usable male screw length 2.5 max. from motor mounting surface.



WEIGHT: 18g(APPROX)

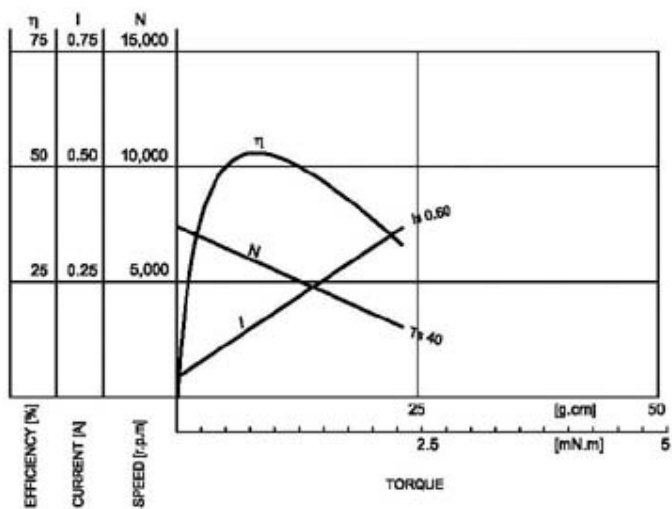


UNIT: mm



BG050Y-11190

6.0V



BG050Y-11170

7.0V

