



FOR APPROVAL  
承认书

*CUSTOMER/客户:*

---

*TYPE/类型:* LED SUPPLY POWER

---

*PART NO./物料编号:*

---

*MODEL NO./主机型号:* SLP03SS1

---

*SERIAL NO./序列号:*

---

*DESIGN/编制:*

---

*APPROVAL/批准:*

---

*AUTHORIZED SIGNATURE  
& COMPANY CHOP*  
客户认可回签(章)

---

**EAGLERISE ELECTRIC & ELECTRONIC (Foshan) CO., LTD.**

---

Add: Guicheng Sci-Tech Industrial Park, Jianping Road, Nanhai District, Foshan City, Guangdong Province, P.R. China

Tel: (0757) 86256810 86256873

Fax: (0757) 86256788

## 一、 Technical Data

Item	Electric parameter /Standard/Specification
1、 Input rated voltage	100~240VAC
2、 Input frequency	50~60Hz
3、 Input current	0.08A
4、 Input power factor	$\text{COS } \phi \geq 0.5$
5、 Constant voltage	DC6V $I \leq 650\text{mA}$
6、 Constant current	DC700mA      0.5V-4V
7、 Ta	50°C
8、 Tc	85°C
10、 Short circuit protection	Provided with short circuit protection, renewable
11、 Over heat protection	Provided with overheat protection, renewable
12、 Surge testing	EN61000-4-5
13、 Electrical strength test	4.2KV/5mA/1min
14、 Conduction testing	EN55015
15、 Static testing	EN61000-4-2
16、 Size	52.5*26.4*21

## 二、 User manual

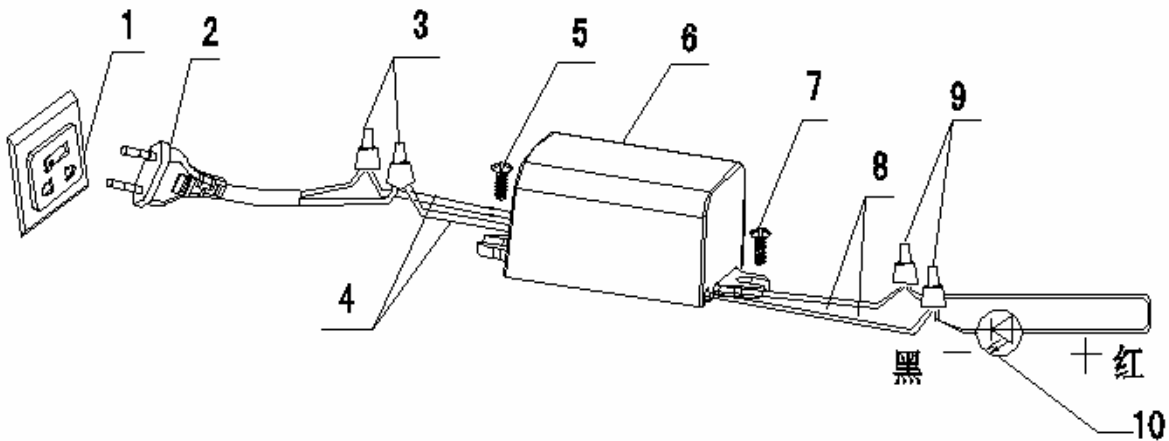
### 1、 Technical Parameter

- a) Input voltage: 100—240VAC, 50/60Hz
- b) Output constant current: DC700mA loading voltage 0.5~4V
- c) Output constant voltage: DC6V, loading current  $\leq 650\text{mA}$

### 2、 Application and features

- a) Short circuit protection and overheat protection are available in output end.
- b) This LED driver could apply power for 1pcs LED with 3W, 700mA of each.(Note: LEDs must be connected in series in same polarity. Extra current limiting resistor is unnecessary)
- c) This LED driver could be used as 6V direct current stabilizing voltage power source and current should be 650mA.

### 3、 Install schematics



### 4、 Operational surroundings

- a) Output Red wire “+”, Black wire “-” must be connected with positive and negative pole of loads respectively.
- b) 3W LED could be used singly, must be connected in same polarity and current is 700mA.
- c) In case it was used as DC stabilizing voltage power source, loading current must be  $\leq 650\text{mA}$ , Once loading current exceed 1.1 times of rated current, output voltage would fall down to gain constant current.
- d) Ambient temperature  $\leq 50^{\circ}\text{C}$ .
- e) The minimum length of output lead is 0.1m and maximum length must not exceed 2.5m.

10	LED	
4	Output wire	1015/TY1989/32 18/FEP
8	Input wire	1672/TY1990/70 22/FT-FEP-102
6	LED power supply	SLP03SS1
5、 7	Screw	
3、 9	Terminal blocks Or screw-on wire connector	
2	Plug	
1	Socket	
N0.	NAME	REMARK

---

## 5. Caution

- a) Please install the driver into an untouchable place, i.e. inside of light fixture.
- b) Applicable operational ambient temperature:  $-20\sim 50^{\circ}\text{C}$ .

## 6. Size

