



FOR APPROVAL
承认书

CUSTOMER/客户:

TYPE/类型: LED SUPPLY POWER

PART NO./物料编号:

MODEL NO./主机型号: SLP03SS

SERIAL NO./序列号:

DESIGN/编制:

APPROVAL/批准:

*AUTHORIZED SIGNATURE
& COMPANY CHOP*
客户认可回签(章)

EAGLERISE ELECTRIC & ELECTRONIC (Foshan) CO., LTD.

Add: Guicheng Sci-Tech Industrial Park, Jianping Road, Nanhai District, Foshan City, Guangdong Province, P.R. China

Tel: (0757) 86256810 86256873

Fax: (0757) 86256788

一、 Technical Data

Item	Electric parameter /Standard/Specification
1、 Input rated voltage	100~240VAC
2、 Input frequency	50~60Hz
3、 Input current	0.08A
4、 Input power factor	$\text{COS } \phi \geq 0.5$
5、 Constant voltage	DC12V $I \leq 300\text{mA}$
6、 Constant current	DC350mA 0.5V-10V
7、 Ta	50°C
8、 Tc	75°C
10、 Short circuit protection	Provided with short circuit protection, renewable
11、 Over heat protection	Provided with overheat protection, renewable
12、 Surge testing	EN61000-4-5
13、 Electrical strength test	4.2KV/5mA/1min
14、 Conduction testing	EN55015
15、 Static testing	EN61000-4-2
16、 Size	52.5*26.4*21
17. MTBF	20000 h

二、 User manual

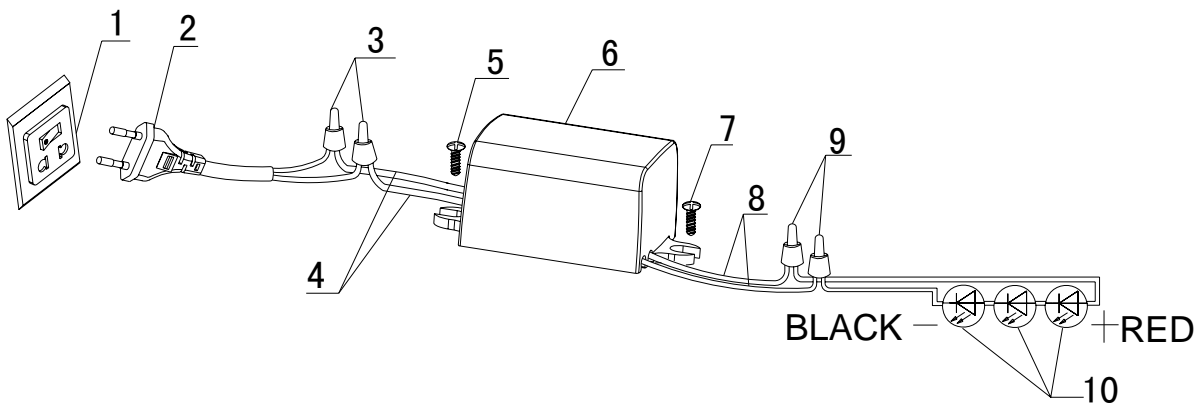
1、 Technical Parameter

- a) Input voltage: 100—240VAC, 50/60Hz
- b) Output constant current: DC350mA loading voltage 0.5~10V
- c) Output constant voltage: DC12V, loading current \leq 300mA

2、 Application and features

- a) Short circuit protection and overheat protection are available in output end;
- b) This LED driver could apply power for 1~3pcs LEDs with 1W, 350mA of each.(Note: LEDs must be connected in series in same polarity. Extra current limiting resistor is unnecessary)
- c) This LED driver could be used as 12V direct current stabilizing voltage power source and current should be \leq 300mA.

3、 Install schematics



4、 Operational surroundings

- a) Output Red wire “+”, Black wire “-” must be connected with positive and negative pole of loads respectively.
- b) 1W LED could be used singly and three pieces maximum, must be connected in series in same polarity and current is 350mA;
- d) In case it was used as DC stabilizing voltage power source, loading current must be \leq 300mA, Once loading current exceed 1.1 times of rated current, output voltage would fall down to gain constant current.
- e) Ambient temperature \leq 50℃。
- f) The minimum length of output lead is 0.1m and maximum length must not exceed 2.5m.

10	LED	
8	Output wire	1015/TY1989 FEP/3218
6	LED power supply	SLP03SS
5、7	Screw	
4	Input wire	1672/TY1990 FT-FEP-102/ 7022
3、9	Terminal blocks Or screw-on wire connector	
2	Plug	
1	Socket	
N0.	NAME	REMARK

5. Caution

- a) Please install the driver into an untouchable place, i.e. inside of light fixture.
- b) Applicable operational ambient temperature: -20~50℃;

6. Size

