



FOR APPROVAL
承认书

CUSTOMER/客户:

TYPE/类型: LED SUPPLY POWER

PART NO./物料编号:

MODEL NO./主机型号: SLP01SS

SERIAL NO./序列号:

DESIGN/编制:

APPROVAL/批准:

*AUTHORIZED SIGNATURE
& COMPANY CHOP*
客户认可回签(章)

EAGLERISE ELECTRIC & ELECTRONIC (Foshan) CO., LTD.

Add: Guicheng Sci-Tech Industrial Park, Jianping Road, Nanhai District, Foshan City, Guangdong Province, P.R. China

Tel: (0757) 86256810 86256873

Fax: (0757) 86256788

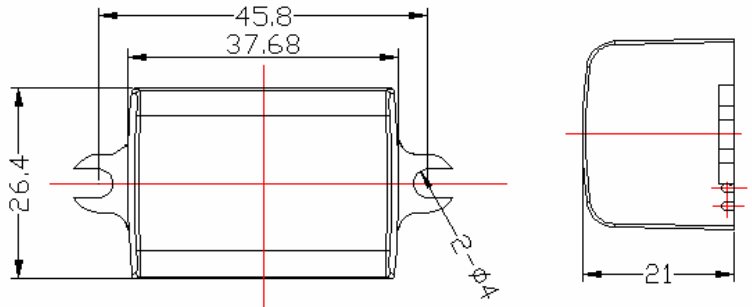
一、 Technical Data

Item	Electric parameter /Standard/Specification
1、 Input rated voltage	100~240VAC
2、 Input frequency	50~60Hz
3、 Input current	0.04A (MAX)
4、 Input power factor	$\text{COS } \phi \geq 0.5$
5、 Constant voltage	DC6V $I \leq 300\text{mA}$
6、 Constant current	DC350mA 0.5V-4V
7、 Ta	50°C
8、 Tc	75°C
10、 Short circuit protection	Provided with short circuit protection, renewable
11、 Over heat protection	Provided with overheat protection, renewable
12、 Surge testing	EN61000-4-5
13、 Electrical strength test	4.2KV/5mA/1min
14、 Conduction testing	EN55015
15、 Static testing	EN61000-4-2
16、 Size	52.5*26.4*21

二、 User manual

1、 Technical Parameter

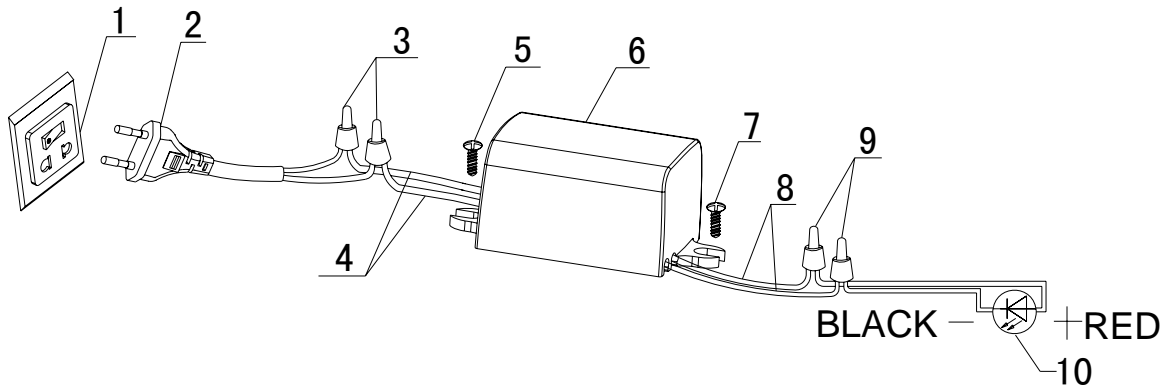
- a) Input voltage: 100—240VAC, 50/60Hz
- b) Output constant current: DC350mA
loading voltage 0.5~4V
- c) Output constant voltage: DC6V,
loading current $\leq 300\text{mA}$



2、 Application and features

- a) Short circuit protection and overheat protection are available in output end;
- b) This LED driver could apply power for 1 pc LED with 1W, 350mA of each.(Note: LEDs must be connected in series in same polarity. Extra current limiting resistor is unnecessary)
- c) This LED driver could be used as 6V direct current stabilizing voltage power source and current should be $\leq 300\text{mA}$.

3、 Install schematics



4、 Operational surroundings

- a) Output Red wire “+”, Black wire “-” must be connected with positive and negative pole of loads respectively;
- b) 1W LED could be used singly and one pc, must be connected in series in same polarity and current is 350mA;
- c) In case it was used as DC stabilizing voltage power source, loading current must be $\leq 300\text{mA}$, Once loading current exceed 1.1 times of rated current, output voltage would fall down to gain constant current;
- d) Ambient temperature $\leq 50^{\circ}\text{C}$;
- e) The minimum length of output lead is 0.1m and maximum length must not exceed 2.5m.

10	LED	
8	Output wire	1015/TY1989 FEP/3218
6	LED power supply	SLP01SS
5、 7	Screw	
4	Input wire	1672/TY1990/ FT-FEP-102/7022
3、 9	Terminal blocks Or screw-on wire connector	
2	Plug	
1	Socket	
N0.	NAME	REMARK

5、Caution

- a) Please install the driver into an untouchable place, i.e. inside of light fixture;
- b) Applicable operational ambient temperature: -20~50℃;

6、Size

