

Version	Date	Information Source	Update Details
1.0	11/27/06	Chaoyue Peng	compile

Infrared Type Touch Panel

E10D03U-30

Technical Specification

1 . Characteristics

E10D03U-30 is the low profile touch panel that is designed to easily fit in a LCD monitor.

Corresponding indication device	Unit	10.4 inches LCD monitor
Contour dimension	[mm]	211.2(W)X191.4(D)X6.8(H)
Detection form	[mm]	Infrared rays interception detection form
Panel opening	[mm]	211.1(W)X158.4(D)
Detection area	[mm]	207.9 * 157.5
Glass		3.0(+0.3,-0.1)mm toughened glass
Linear Defects		scratch < 0.15mm, bubbles ≤ Φ0.4mm
glass surface handling		must not leave surface residue or dust after removal.
TOP shell		Polycarbonate
Handling liner		must leave surface residue or dust after removal
Resolution Noh play		4096(W)×4096(D)
A detection pace	[mm]	3.15×3.15
Output form		Coordinate output
The number of optical elements		34(W)×26(D)
An optical element pace	[mm]	6.3
Cable length	[mm]	300±50

2. Specifications

Electricity Specifications

Scan periods	50Hz			
Firmware VER.	IRTOUCH USB1.1			
EIA-RS232C	Synchronous form	Step synchronous-type		
	Transfer speed	9600 BPS		
	Data composition	Start Bit	1bit	
		Data Bit	8bit	
		Parity	Non	
		Stop Bit	1bit	
Signal	TXD, RXD, GND, +5V			
I/F connector	9pin connector for cable			
USB1.1	Connector type	A type		
	Transfer speed	12Mbps		
	Signal	+5V,D-,D+,GND		
	Connector	USB A PORT connector for cable		
Temperature Range	operating	-40~70℃ (Temperature slope 25℃/Hr less than)		
	Storage	-40~85℃ (Temperature slope 25℃/Hr less than)		
Humidity	operating	0%-85%, noncondensing		

	Storage 0%-95% , noncondensing
ESD	contact discharge voltage is 4KV,air discharge voltage is 8KV
Power supply	DC+5V max200mA the following average 160mA
How to supply it	From USB PORT of PC
Use connector	For the flat FPC 4pin USB/M

Software Specifications

Item	Contents
Scanning Form	Auto Start, Always Scanning
Movement Mode	Input Point, Finishing Point, Following, Continuous Detection
Resolution Noh play	4096 (X) * 4096 (Y)
Output form	Coordinate output
Agency Approval (in future)	CE, FCC,UL

3. Panel opening Area and Detection coordinate

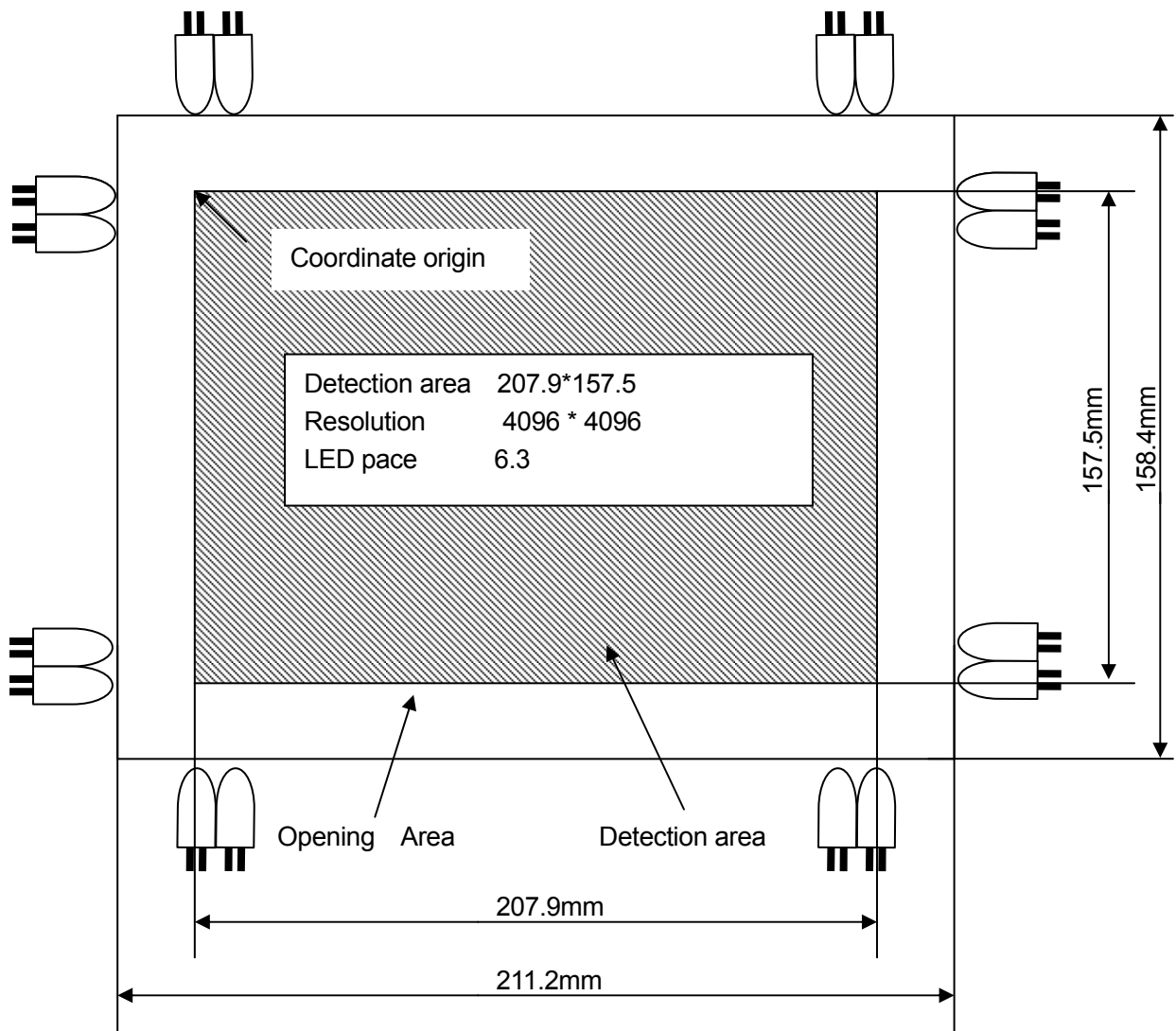


FIGURE 1

4. Dimensional Drawing

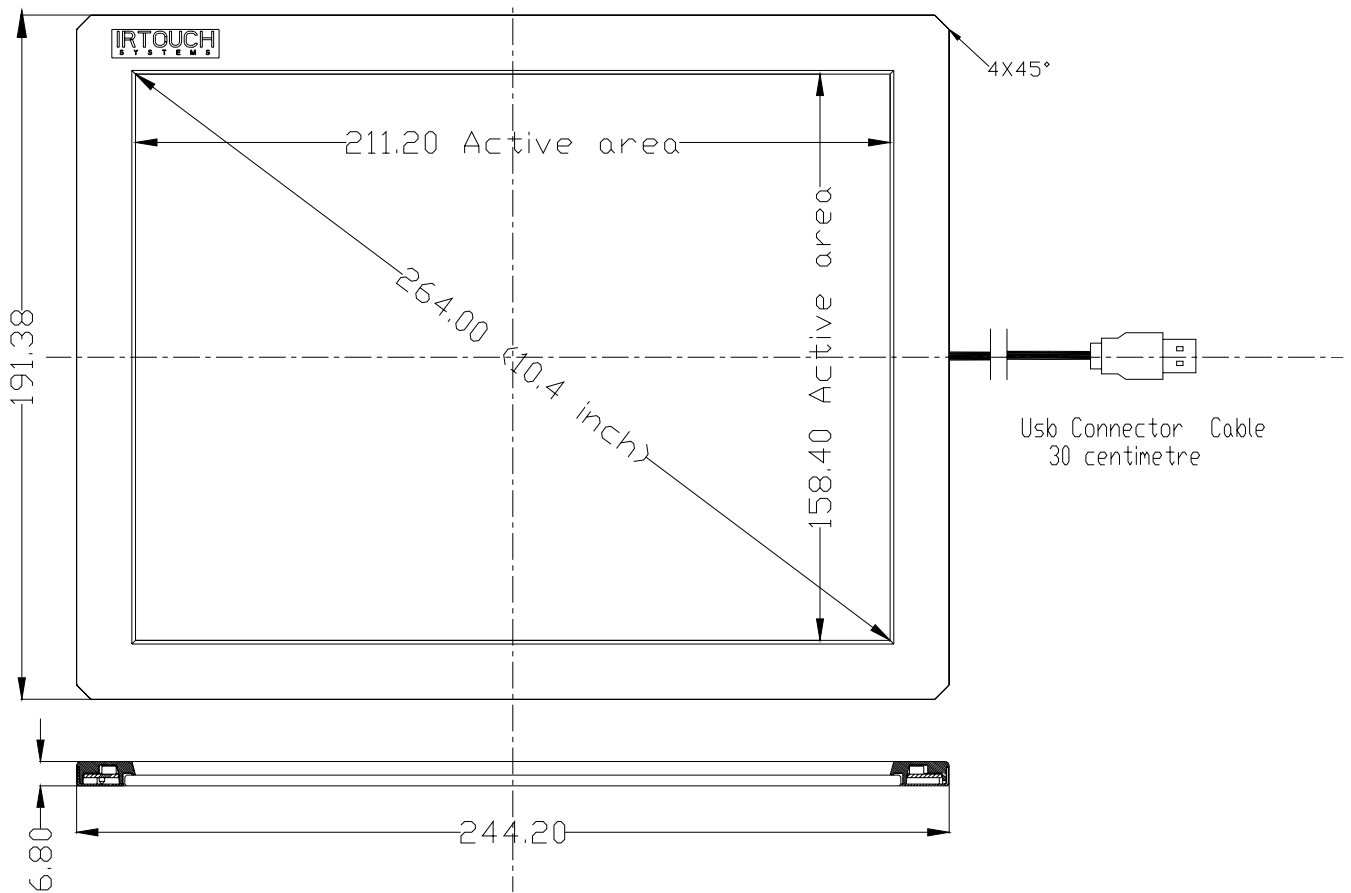
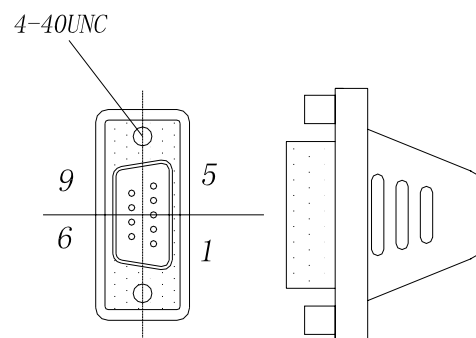


FIGURE 2

5. Connector

Data Cable and Flat type connector of DB9, as illustrated below :



Cable length: 30cm

Cable information: 5C*28AWG+1(7*0.12)+AL Φ3.6 (UL),

FIGURE 3

Number	Signal name	Direction	Number	Signal name	Direction
1	VCC		2	TXD	PC to Panel

3	RXD	Panel to PC	4	NC	
5	GND		6		
7			8		
9					

USB connector, as illustrated below :

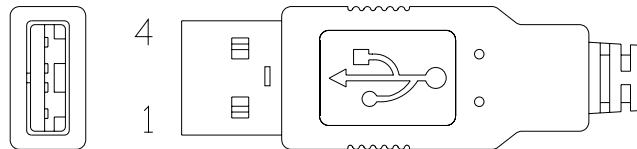


FIGURE 4

Cable length: 30cm

Cable information: 5C*28AWG+1(7*0.12)+AL Φ3.6 (UL),

Number	Signal name
1	+5V
2	D-
3	D+
4	GND

6. ROHS COMPLIANCE

E10D03U-30 is RoHS compliant.