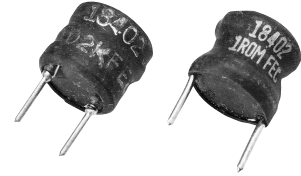
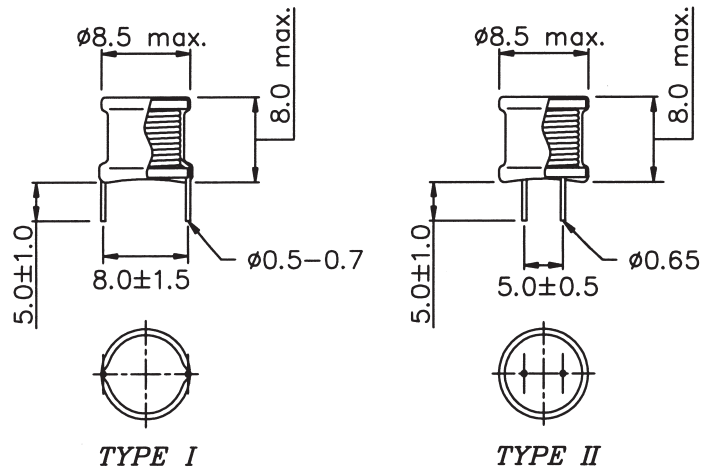


CHOKE COILS



Part No.	Ind. (uh)@1KHz	Q Min	Test Freq. (MHz)	SRF Min. (MHz)	DCR Max. (ohms)	Rated Current Max.(A)	Type
184021R0M	1.0	20	7.9	68	0.005	7.5	1
184021R5M	1.5	20	7.9	56	0.008	6.6	1
184022R2M	2.2	20	7.9	45	0.010	5.4	1
184023R3M	3.3	20	7.9	38	0.013	4.5	1
184024R7M	4.7	20	7.9	30	0.017	3.7	1
184026R8M	6.8	20	7.9	24	0.022	3.1	1
18402100K	10	20	2.5	19	0.03	2.5	1
18402120K	12	20	2.5	17	0.04	2.2	1
18402150K	15	20	2.5	15	0.05	2.0	1
18402180K	18	20	2.5	13	0.06	1.8	2
18402220K	22	20	2.5	12	0.07	1.6	2
18402270K	27	20	2.5	11	0.08	1.4	2
18402330K	33	20	2.5	10	0.10	1.3	2
18402390K	39	20	2.5	9.0	0.12	1.2	2
18402470K	47	20	2.5	8.0	0.14	1.1	2
18402560K	56	20	2.5	7.0	0.16	0.96	2
18402680K	68	20	2.5	6.5	0.18	0.91	2
18402820K	82	20	2.5	6.0	0.20	0.83	2
18402101K	100	15	0.79	5.5	0.25	0.75	2
18402121K	120	15	0.79	5.0	0.33	0.68	2
18402151K	150	15	0.79	4.5	0.40	0.61	2
18402181K	180	15	0.79	4.0	0.50	0.55	2
18402221K	220	15	0.79	3.5	0.60	0.50	2
18402271K	270	15	0.79	3.2	0.70	0.45	2
18402331K	330	15	0.79	2.8	0.80	0.41	2
18402391K	390	15	0.79	2.5	0.90	0.37	2
18402471K	470	15	0.79	2.3	1.0	0.34	2
18402561K	560	15	0.79	2.1	1.3	0.31	2
18402681K	680	15	0.79	1.9	1.5	0.28	2
18402821K	820	15	0.79	1.7	2.0	0.25	2
18402102K	1000	30	0.25	1.5	2.5	0.23	2
18402122K	1200	30	0.25	1.3	3.0	0.20	2
18402152K	1500	30	0.25	1.2	3.5	0.18	2

FEATURES

- Mini size
- Low cost
- High reliability
- Wide inductance range 1.0uh to 1500uh
- Operating temp. -40°C to +85°C
- Temp. rise 25°C max
- Ambient temp. 60°C max

TEST EQUIPMENT:

L-HP4276A LCZ meter
 Q-HP4342A at specified freq.
 DCR-Millohm meter
 SRF-HP4191A